

ME

STOVE SERIES

 Nordpeis

ME WALL WITHOUT FIREWALL





PRODUCT DATA SHEET

MODEL	Name	Me				
	Name other versions	Me Basic, Me Steel, Me Pedestal, Me Glass, Me Bench, Me Wall & Me Ceiling. Me Wall: Me Wall without firewall, Me Wall with integrated firewall				
	Name accessories	Wood 1 & Wood 2 (also fits other products).				
	Concrete	Me Bench: Colorado Anthracite				
	Model	Straight	Corner	Free		
				x		
	Heat accumulating	Yes	No	Comments		
		x				
Launch details	12. March 2018					
ACCESSORIES	Extension top	Yes	No	Comments		
			x			
	Powerstone	Yes	No	Comments		
			x			
Floorplate 30 cm	Yes	No	Material			
	x		Me Basic, Steel & Bench: Regular glass. Me Glass: Floorplate in Optiwhite glass. Me Pedestal: Regular glass			
Floorplate 50 cm	Yes	No	Material			
	x		Me Basic, Steel & Bench: Regular glass. Me Glass: Optiwhite glass. Me Pedestal: Regular glass. Me Wall & Me Ceiling: Regular glass, All markets			
TECHNICAL	Dimensions	Versions	Height	Width	Depth	Height of insert
		Me Basic	1100	520	340	578
		Me Steel	1135	520	340	610
		Me Pedestal	1048	570	570	530
		Me Glass	1098	520	340	578
		Me Wall	520/820	520/820	364	-
		Me Ceiling	-	520	340	-
	Me Bench	916	1200	342	396	
	Integrated firewall	Yes	No	Material		
			x			
	Mounting options	Top	Rear	Left	Right	NB! All versions can be rear mounted except from Me Ceiling.
		x	NB!			
	Steel chimney	Ø150	Ø226	Ventilated	Not ventilated	All versions may have the Premodul ventilated chimney.
	x	x	x	x		
Outside air connection	Versions	Floor	+120 from floor	Premodul ventilated chimney	Rear	
	Me Basic	x	x	x	x	
	Me Steel			x	x	
	Me Pedestal	x	x	x	x	
	Me Glass			x	x	
	Me Wall			x	x	
Me Ceiling			x			
Me Bench	x	x	x	x		
Size of connection	Ø67	Ø80	Ø100			
		x				
Other information						

CONCEPT

ME: CONCEPT

Round shapes are eye catching, and with its perfectly round burning chamber, Me will stand out in a room with strong lines and straight angles. The side glasses give a great view of the fire, and the softness of the flames contrasts nicely with the geometrical shapes in the stove.

Nordpeis Me is a series of wood burning stoves. It contains seven different models that complement each other, and all together give a complete and holistic series.

Me Basic is the *basic* version that fits into most homes, and also have all options for external air connection. Me Steel is the *design* version, a bit more challenging with the strict geometrical shapes, but still welcoming and practical with the large wood storage. Me Pedestal is the *classical* version, modern with a clean design. Then there are Nordpeis' first hanging fireplaces: Me Wall and Me Ceiling. Me Wall is the *adaptable* version, with its small size and clean design it may hang in many different rooms. Me Ceiling is the ultimate *centerpiece* in a room, it will get noticed. Me Bench is the *furniture* with a place to sit and optional drawers. Then at last, there is Me Glass, the *exclusive* version, the innovative combination of a round burning chamber and the glass base gives the impression that the fire is floating above the floor.

The concept Me offers a new and fresh design, which also meets the practical needs to a fireplace.



ME BASIC



ME STEEL



ME GLASS



ME PEDESTAL



ME CEILING



ME WALL



ME BENCH



ME BASIC



ME STEEL



ME GLASS



ME PEDESTAL



ME CEILING



ME WALL

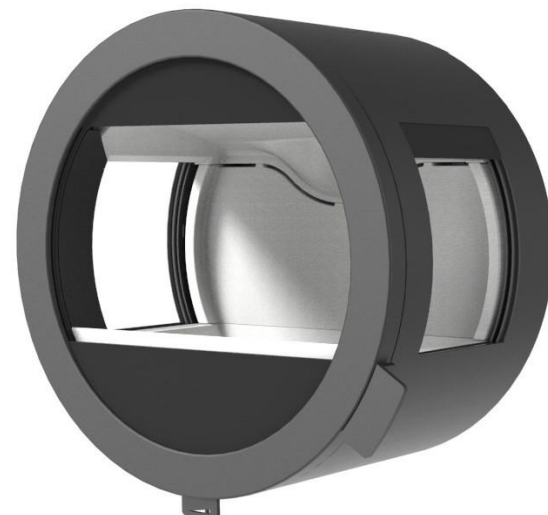


ME BENCH

TWO VERSIONS:



Without side glasses



With side glasses

VENTILATED CHIMNEY

Nordpeis ståpipe

It may be mounted with the ventilated chimney. This chimney brings external air through the chimney and down to the burning chamber. There it is brought into channels that separates it to different locations.



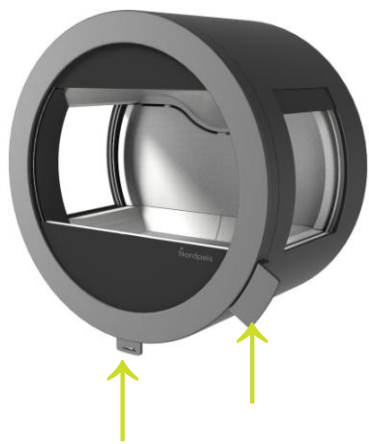
Ventilated chimney

Cover that is placed behind the burning chamber when mounted with the Premodul ventilated chimney.

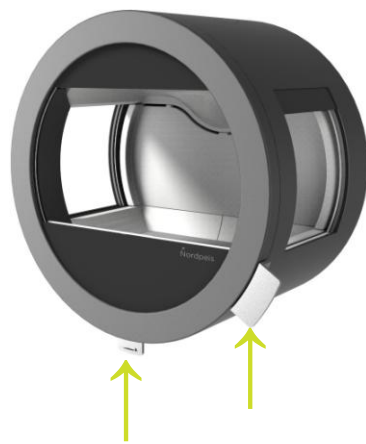


OPTIONAL HANDLES

There are optional handles in brushed steel for the door and the air regulation.

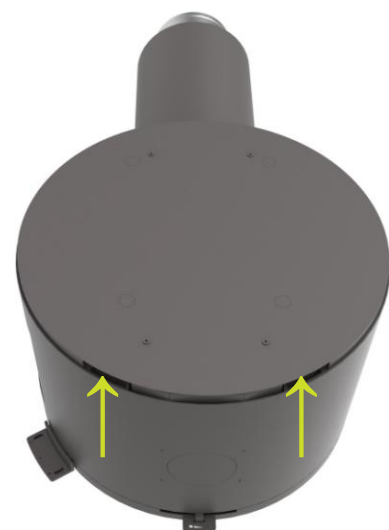


Black handles



Handles in brushed steel

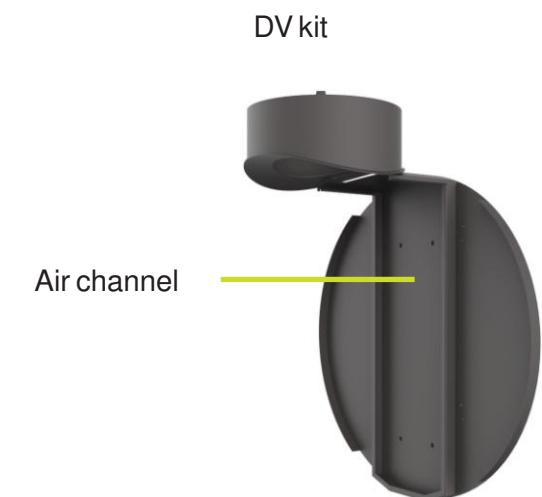
CONVECTION AIR



Air inlets

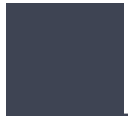


Air outlets



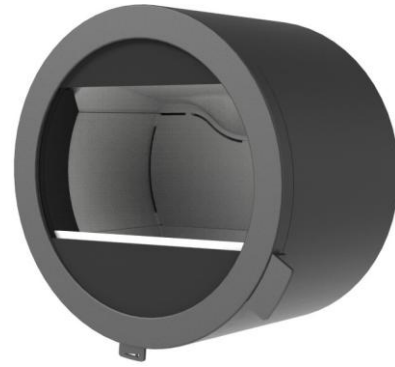
Air channel

DV kit

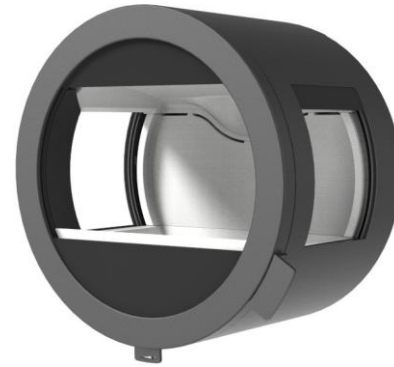


BURNING CHAMBER

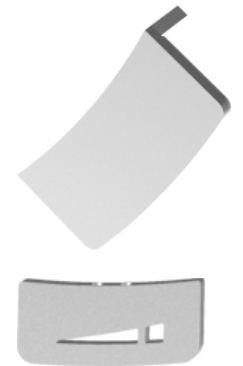
Me without side glasses



Me with side glasses



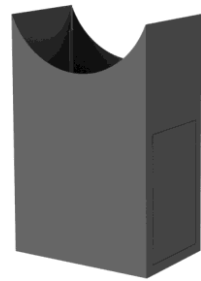
ACCESSORIES



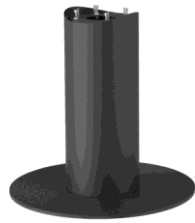
Handles in brushed steel.

BASES

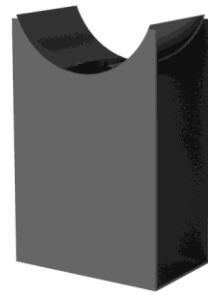
Me Basic



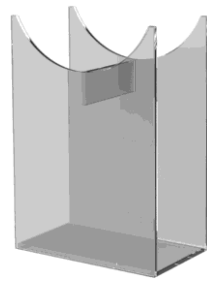
Me Pedestal



Me Steel



Me Glass

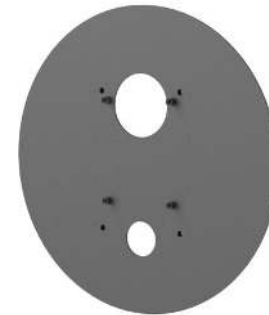


Me Wall

Me Wall without firewall



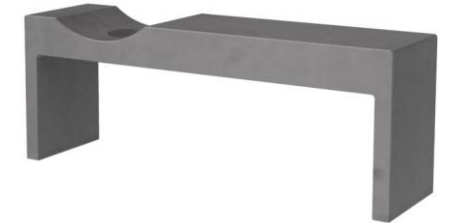
Me Wall with integrated firewall



Me Ceiling



Me Bench



ACCESSORIES

Drawer for outside air, Black steel



Drawer Black steel



Drawer for outside air, Oak



Drawer Oak



MODELS



ME BASIC -THE *BASIC* VERSION

- All solutions for external air connection.
- Storage with optional door on right side.
- The door hides external air connections.
- Economic.
- Honest design.
- Adjustable screws to correct the height.



Top mounted with side glasses and handles in brushed steel.



With side glasses.



Without side glasses and door.



With handles in brushed steel.

SPECIFICATIONS



Optional door. If you have an external air connection to the floor you can use the door to hide it.

If not it is also nice to keep it open. The storage can be used for wood logs, matches etc.

Powder coated sheet steel.

In each corner there is a screw to adjust the height.

EXTERNAL AIR CONNECTIONS

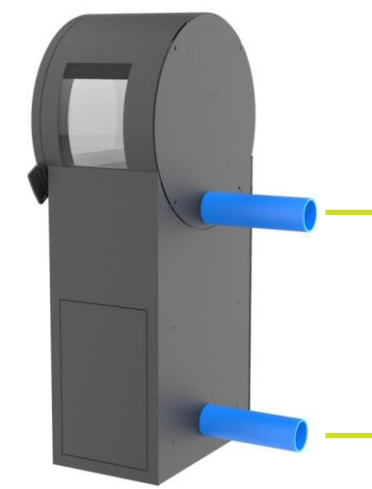
Through the ceiling with the Premodul ventilated chimney.



To the floor. Placed in corner to keep storage space.



To the floor. Placed in the middle of the storage space. Practical if the hole is already made in center.



Two option for external air connection through the wall.

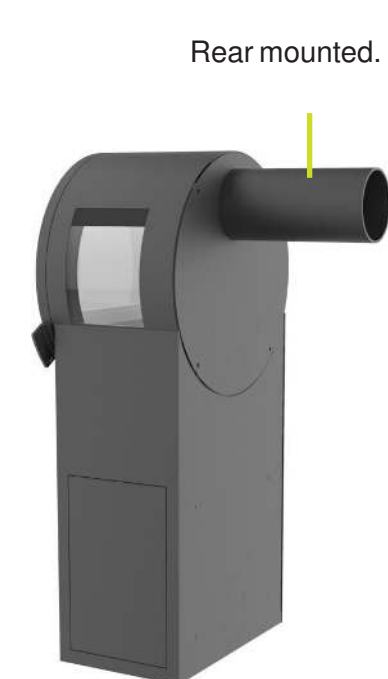
Directly from burning chamber or with center 120 mm up from the floor.

ADDITIONAL DOOR



Additional door if you for example want to hide the external air connections to floor.

SMOKE OUTLET

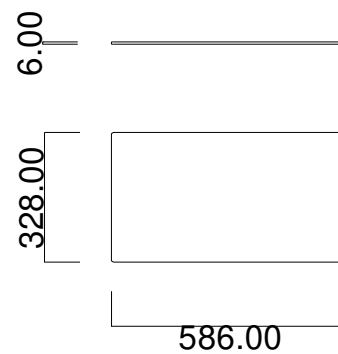


Rear mounted.



Top mounted.

FLOORPLATE IN CLEAR GLASS





ME STEEL -THE *DESIGN* VERSION

- Geometrical shapes.
- Large wood storage.
- Constructed in thin and modern sheet steel.
- Adjustable screws to correct the height.



Top mounted with side glasses.



Without side glasses.

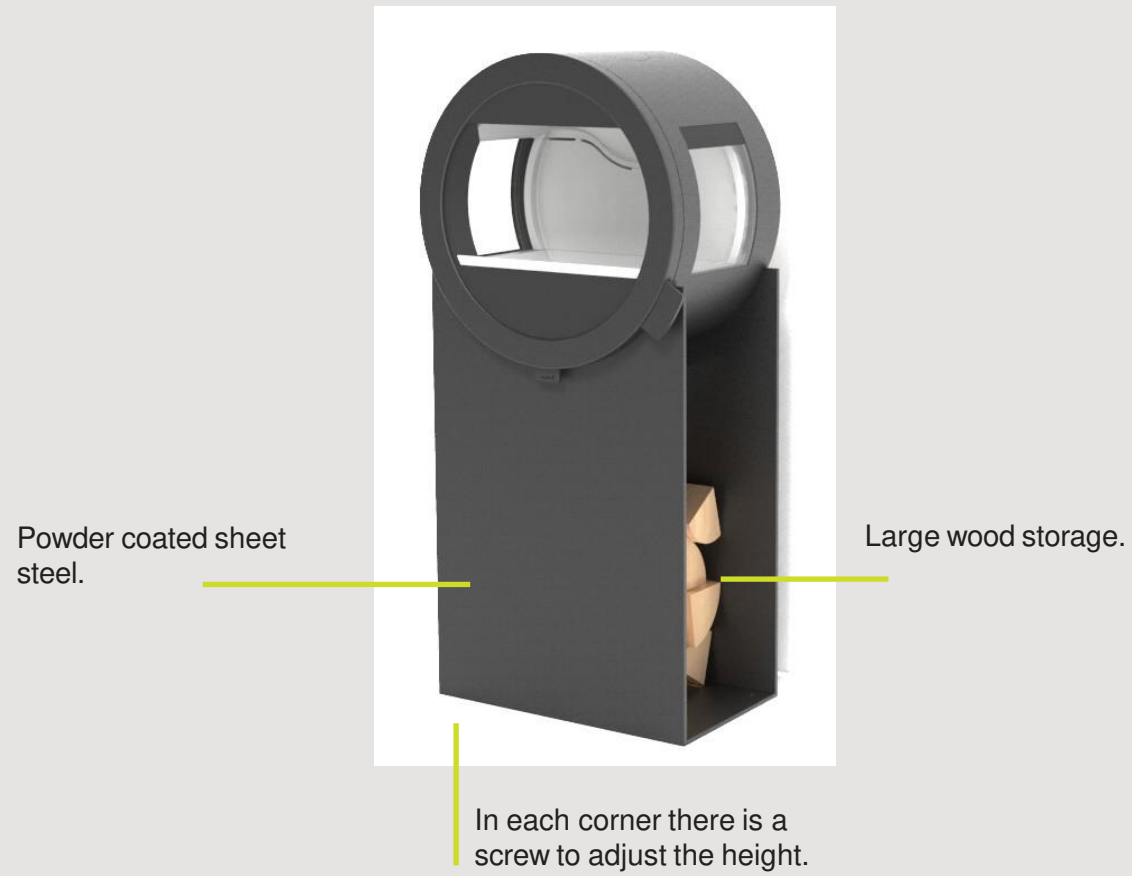


With side glasses and handles in brushed steel.



With handles in brushed steel.

SPECIFICATIONS



EXTERNAL AIR CONNECTIONS

Through the ceiling with the Premodul ventilated chimney.



From burning chamber through wall.



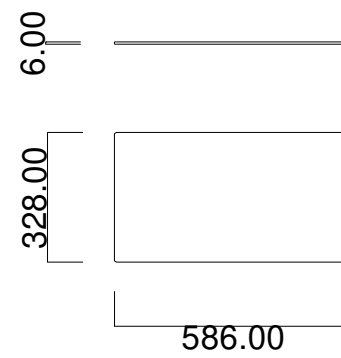
SMOKE OUTLET

Rear mounted.

Top mounted.



FLOORPLATE IN CLEAR GLASS



ME PEDESTAL

Nordpeis



ME PEDESTAL -THE *CLASSICAL* VERSION

- Slim design.
- Classic pedestal.
- Practical with several solutions for external air connection.
- Modern look.
- Base and burningchamber is assembled before delivery.



Top mounted with side glasses.



With handles in brushed steel
and without side glasses.



With side glasses.



SPECIFICATIONS

Base and burning chamber is assembled before delivery.

Powdercoated sheet steel.



The pedestal is round, which gives a clean design when it is top mounted. It has the same diameter as the ventilated chimney.

EXTERNAL AIR CONNECTIONS

Through the ceiling with the Premodul ventilated chimney.



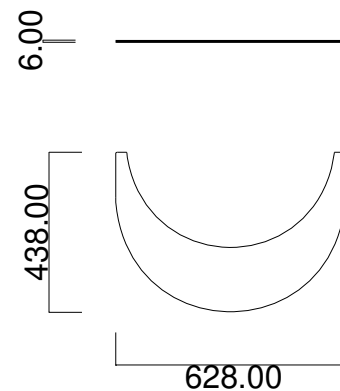
Through the floor.



Two options for external air connection through the wall.

Directly from burning chamber or with center 120 mm up from the floor.

FLOORPLATE IN CLEAR GLASS



SMOKE OUTLET

Rear mounted.



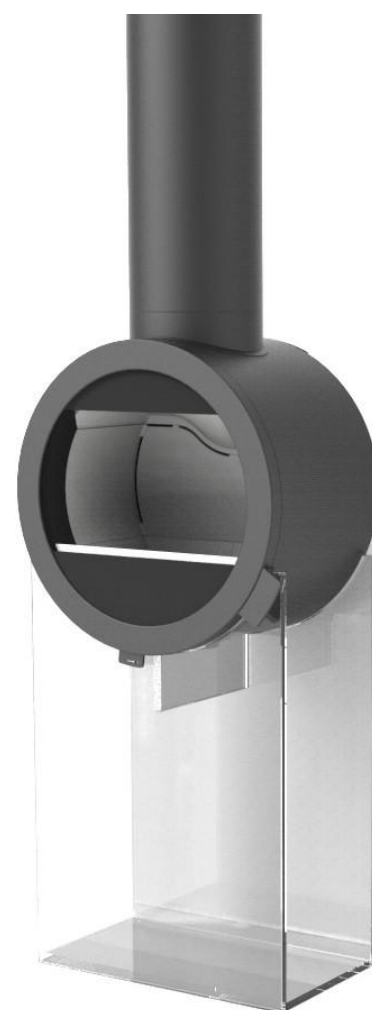
Top mounted.



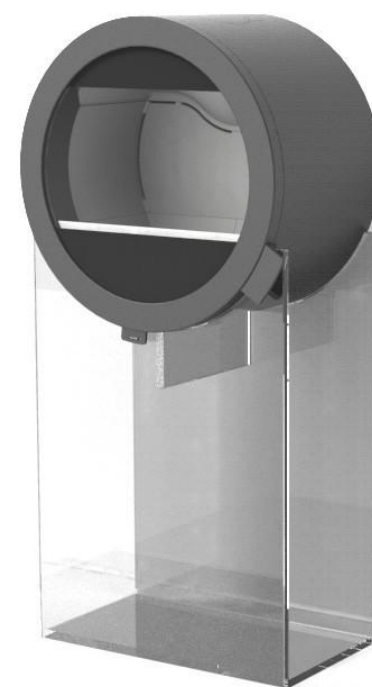


ME GLASS -THE *EXCLUSIVE* VERSION

- First wood burning fireplace that we know of with a glass base.
- Large wood storage.
- The glass makes it look like the burning chamber is floating above the floor.
- Made in optiwhite glass that is less green than regular glass.



Top mounted without side glasses.



Without side glasses.



With side glasses.

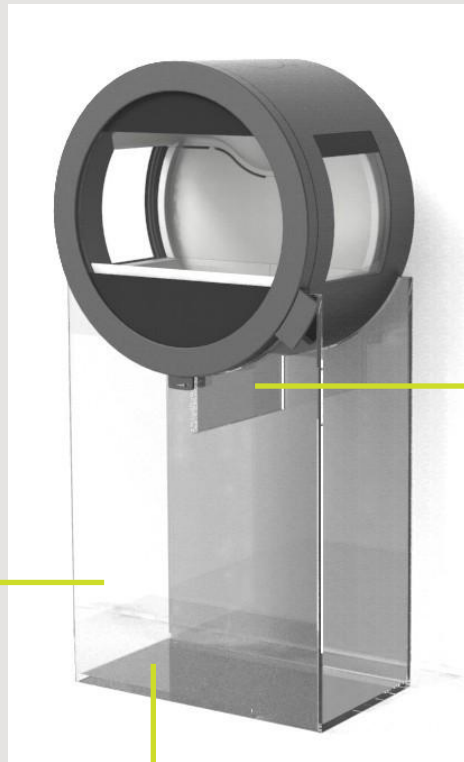


With handles in brushed steel.

SPECIFICATIONS

To secure the construction Me Glass is mainly built in laminated glass.

This means that if the glass breaks the fireplace still will be standing, and the burning chamber will not fall to the ground.

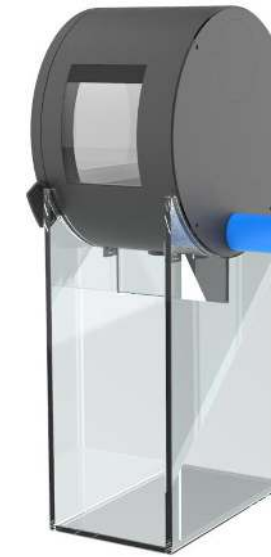


Beam to ensure the safety by keeping the glass in the right position if pushed.

The glass is in high quality Optiwhite, that is less green than normal glass.

EXTERNAL AIR CONNECTIONS

Through the ceiling with the Premodul ventilated chimney.



From burning chamber through wall.

SMOKE OUTLET

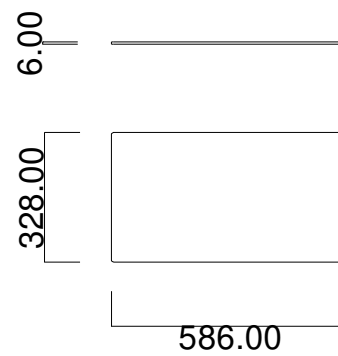
Rear mounted.



Top mounted.



FLOORPLATE IN CLEAR OPTIWHITE GLASS



ME WALL WITHOUT FIREWALL



ME WALL WITH INTEGRATED FIREWALL

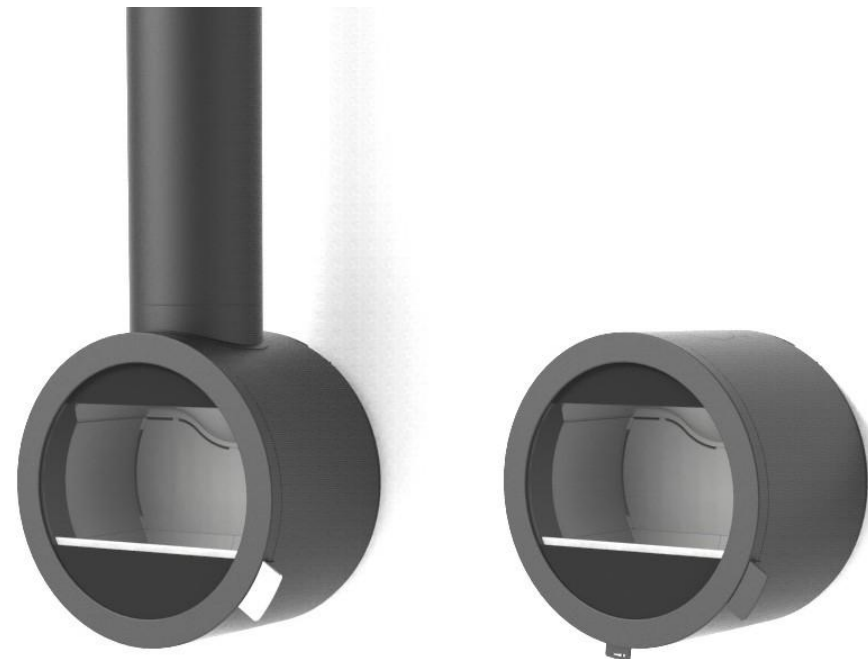


ME WALL -THE ADAPTABLE VERSION

- With optional firewall.
- Takes up little space in the room.
- Flexible in the choice of room, looks nice also in a kitchen, hallway etc.
- Nordpeis' first wall hang stove.



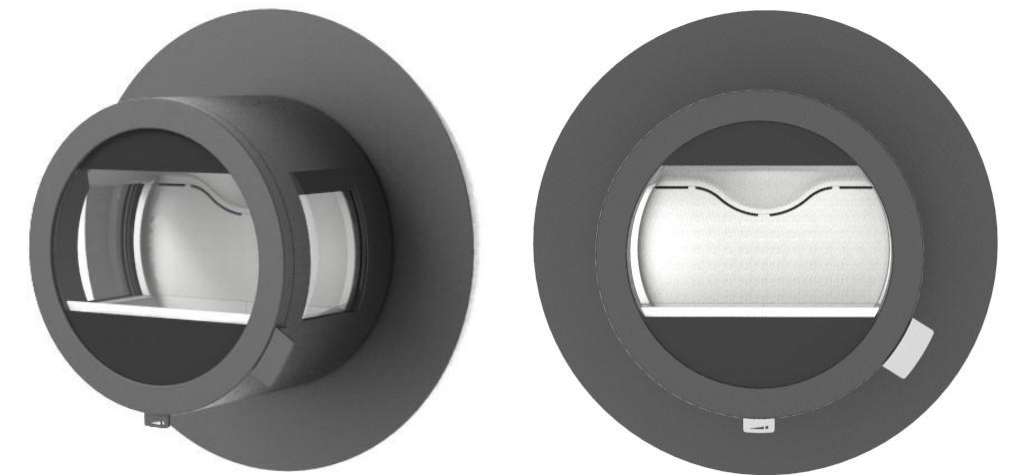
ME WALL WITHOUT FIREWALL



Top mounted with handles in brushed steel.

Without side glasses.

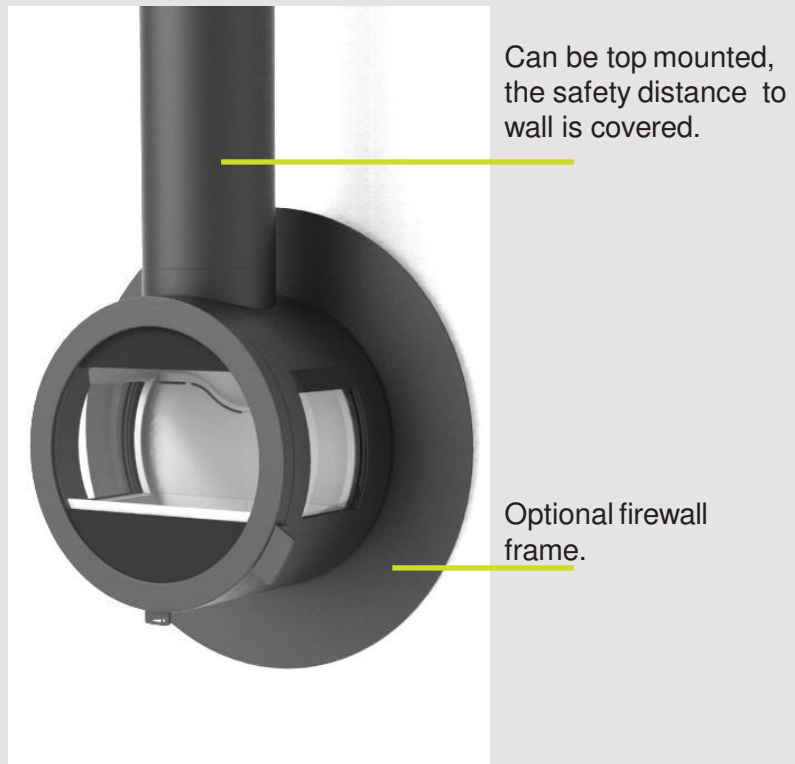
ME WALL WITH INTEGRATED FIREWALL



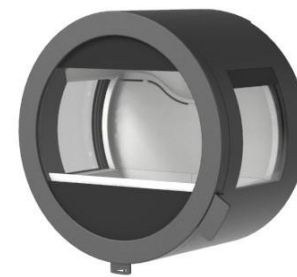
With firewall and side glasses.

With firewall and handles in brushed steel.

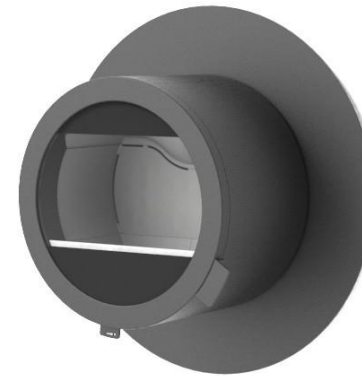
SPECIFICATIONS



TWO VERSIONS



Me Wall without firewall



Me Wall with integrated firewall

EXTERNAL AIR CONNECTION



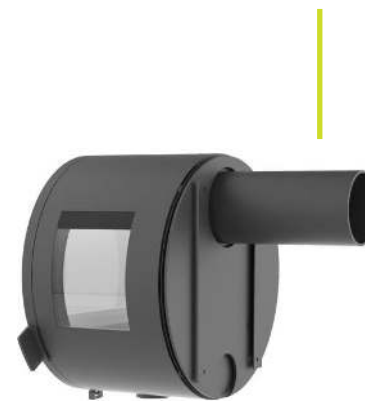
From burning chamber through wall.

Through the ceiling with the Premodul ventilated chimney.



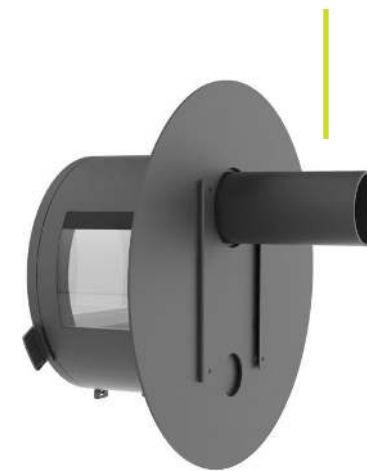
SMOKE OUTLET

Rear mounted.



Me Wall without firewall

Rear mounted.



Me Wall with integrated firewall

Top mounted.

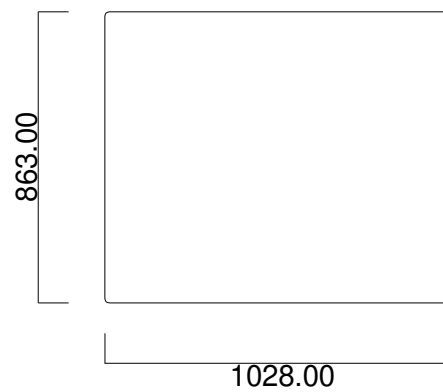


Me Wall without firewall



Me Wall with integrated firewall

FLOORPLATE IN CLEAR GLASS



ME CEILING

Nordpeis



ME CEILING

ME CEILING -THE CENTERPIECE

- Hanging from the ceiling it will be the centerpiece in the room.
- With modern perforated sheet steel.
- Pulls attention to our brand.
- Nordpeis' first fireplace hanging from the ceiling.



With ventilated chimney,
Ø226.



With unisolated chimney,
Ø150.



With handles in brushed steel.

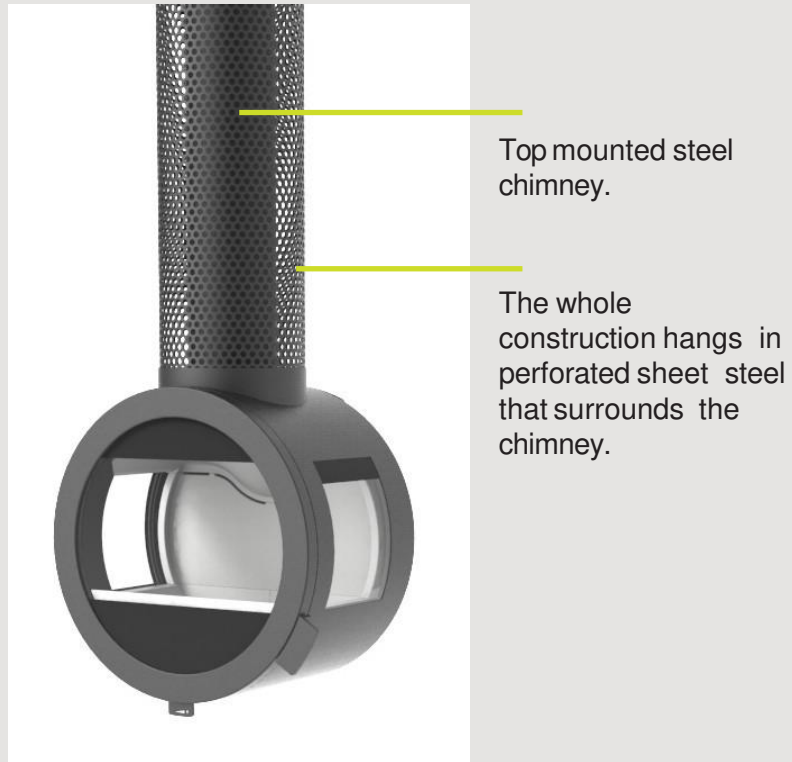


With unisolated chimney,
Ø150.

SPECIFICATIONS

It is made to be mounted on a flat ceiling. The chimney and perforated steel may be cut in the right size on site.

It is possible to mount it on an angled ceiling. On given measures it will be specially made.



SMOKE OUTLET



Steel chimney, Ø226.

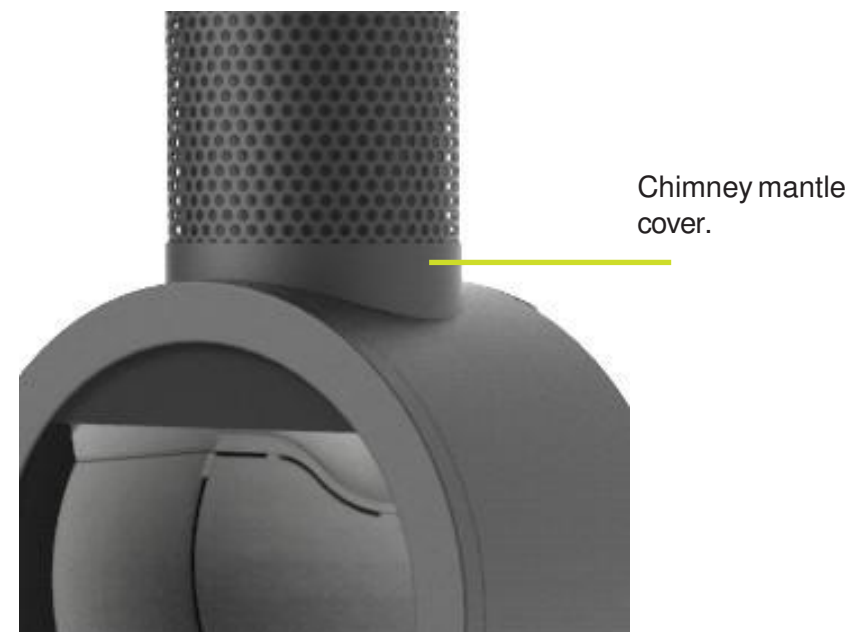
Unisolated steel chimney, Ø150.

EXTERNAL AIR CONNECTIONS

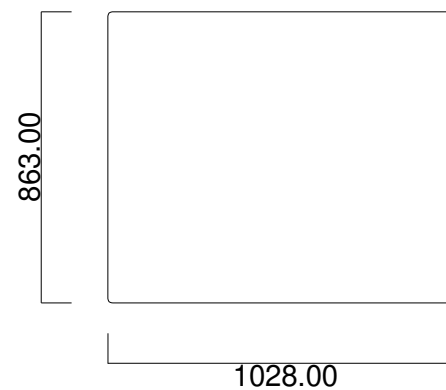
Through the ceiling with the Premodul ventilated chimney.



CHIMNEY PARTS



FLOORPLATE IN CLEAR GLASS



ME BENCH

Nordpeis



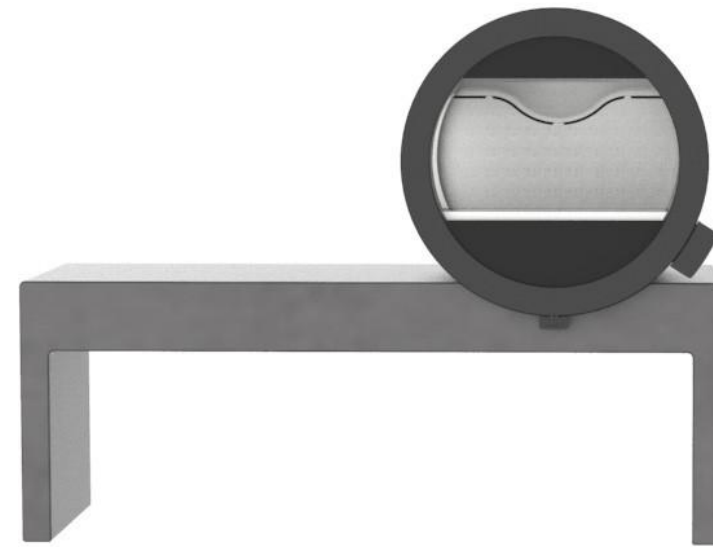
ME BENCH / with oak drawers

Nordpeis

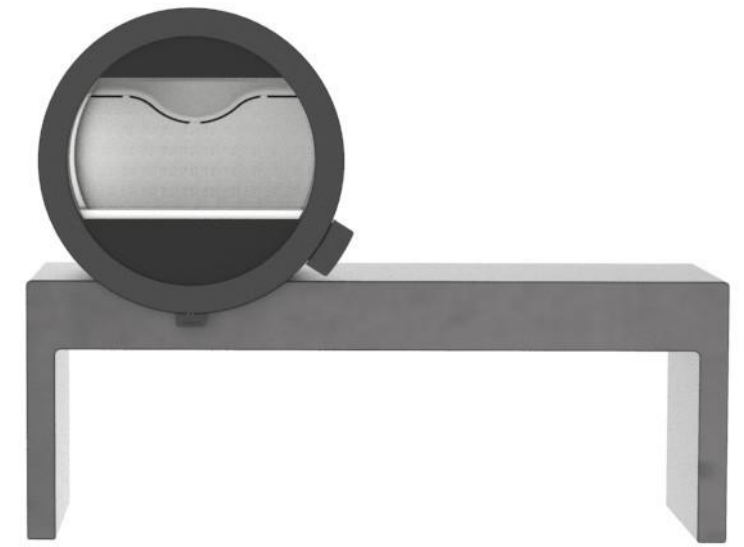


ME BENCH -THE FURNITURE

- A true combination of fireplace and furniture.
- The drawer hides the external air connection to the floor.
- In the drawers you can hide wood logs, matches etc.
- You can choose the design and materials that fits your living room; with or without drawers, black steel or oak.
- The concrete bench can be turned for left/right version.



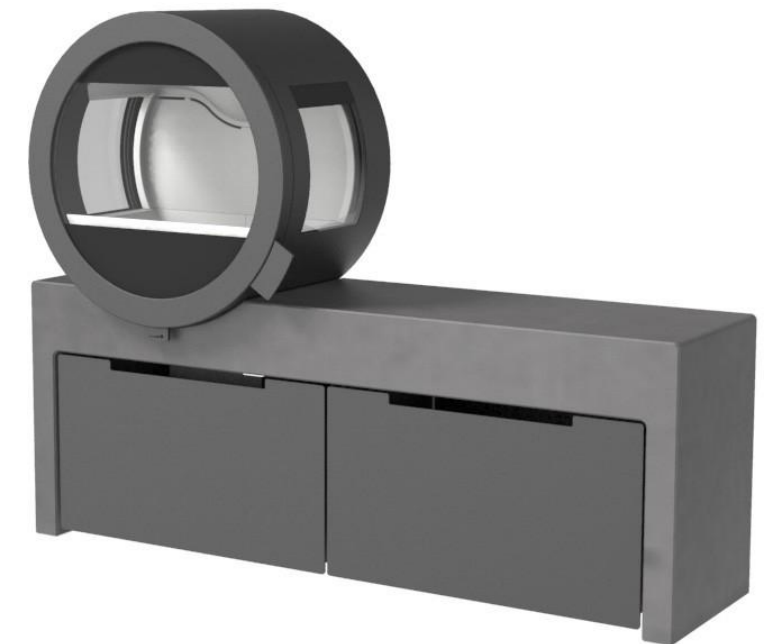
Right version.



Left version.

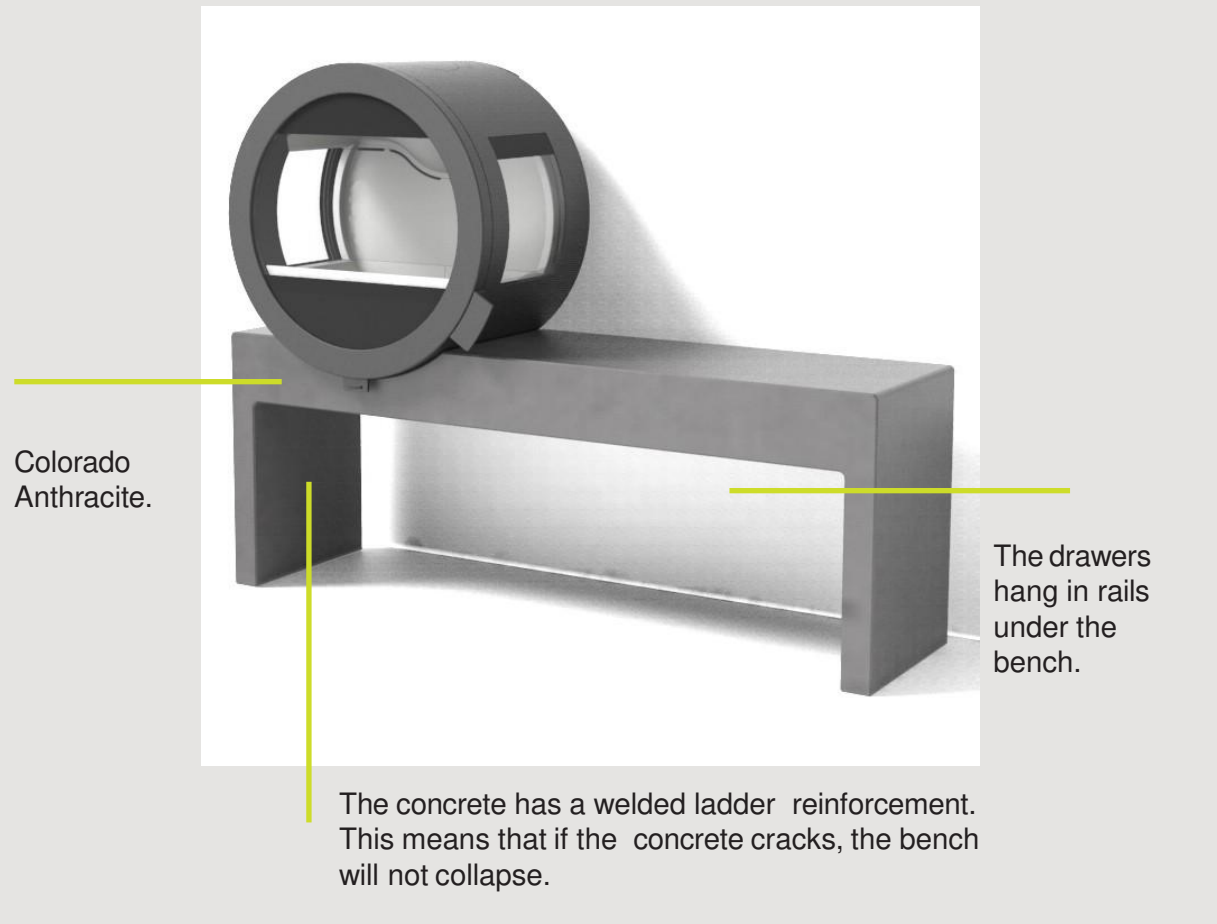


With side glasses and oak drawers.



Without side glasses and drawers in black steel.

SPECIFICATIONS



TWO DRAWERS



1. With an opening for the tube that is used for external air connection.

2. Drawer with a large storage space.

Drawer sets:

Drawer set, oak



Drawer set for external air, oak



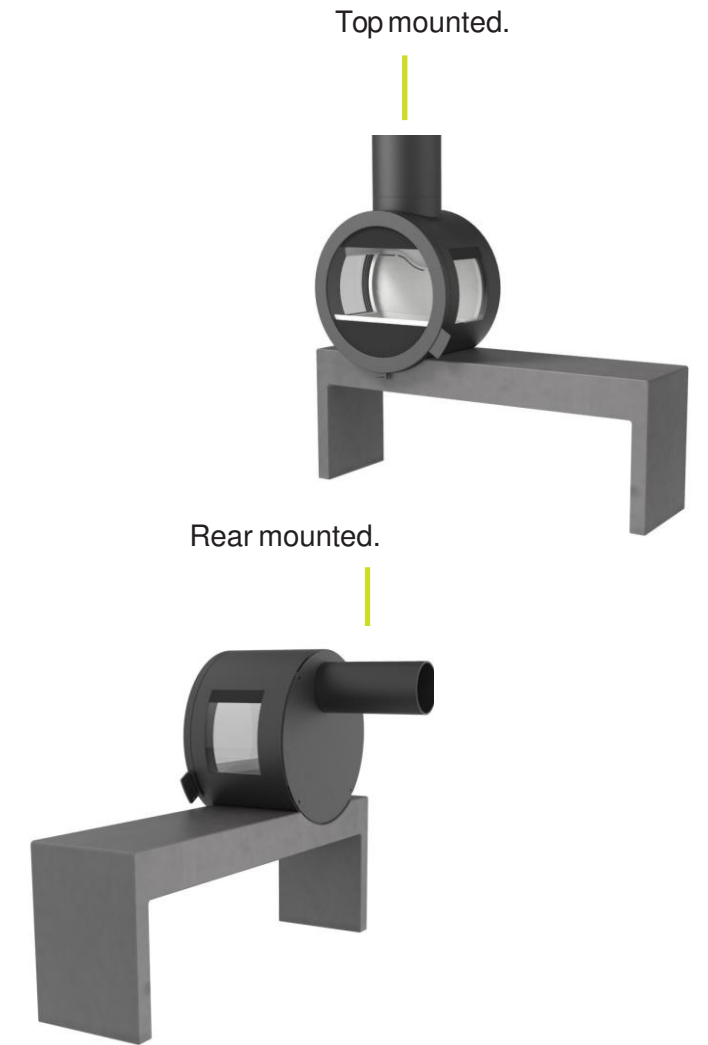
Drawer set, steel



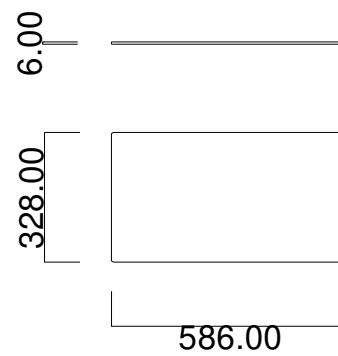
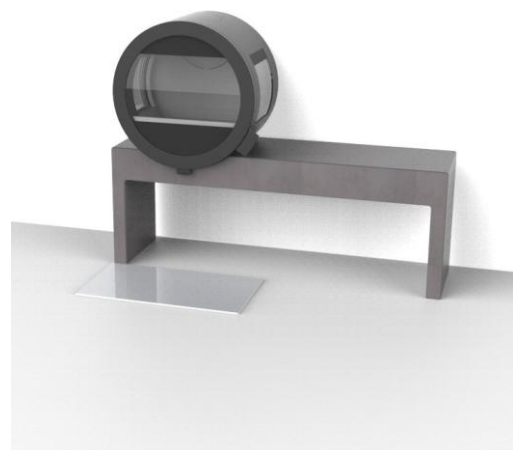
Drawer set for external air, steel



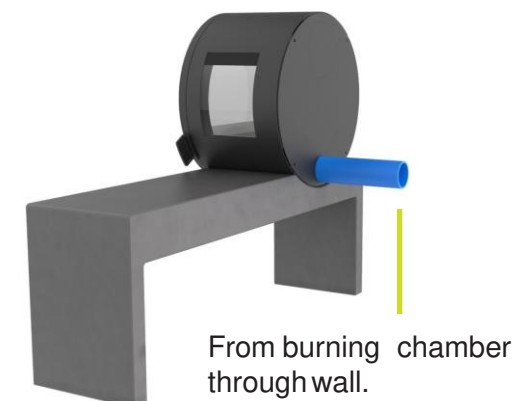
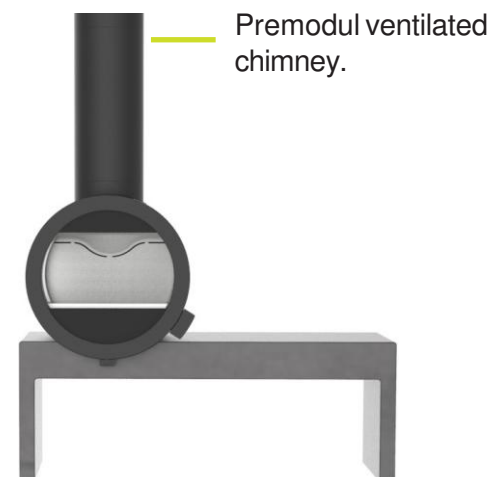
SMOKE OUTLET



FLOORPLATE IN CLEAR GLASS



EXTERNAL AIR CONNECTIONS



WOODSHELF

- Materials: Powdercoated steel and Colorado Anthracite
- Large storage space
- With a plaque in brushed aluminum with the Nordpeis logo



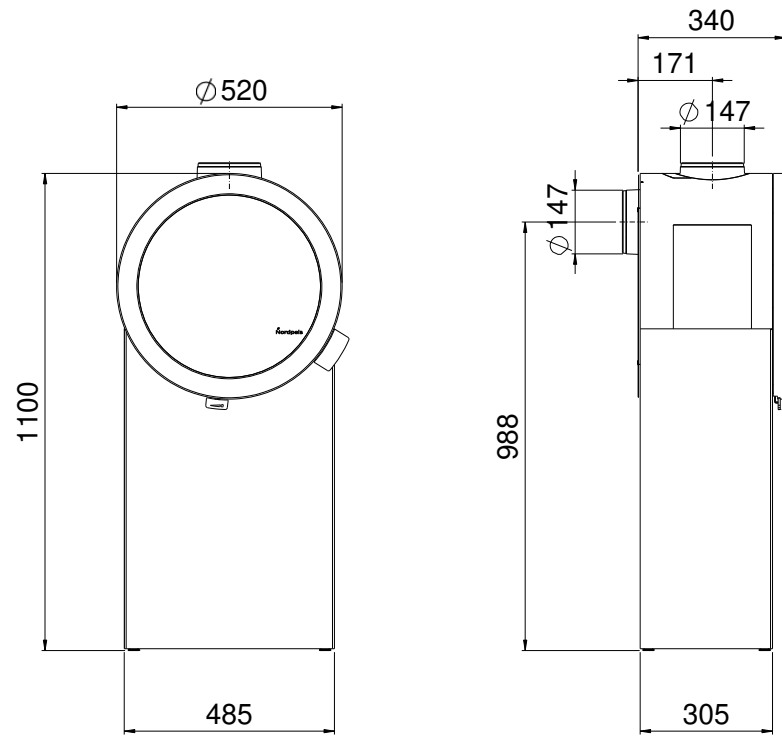
WOODSHELF

- Material: Powdercoated steel
- Large storage space
- With a plaque in brushed aluminum with the Nordpeis logo

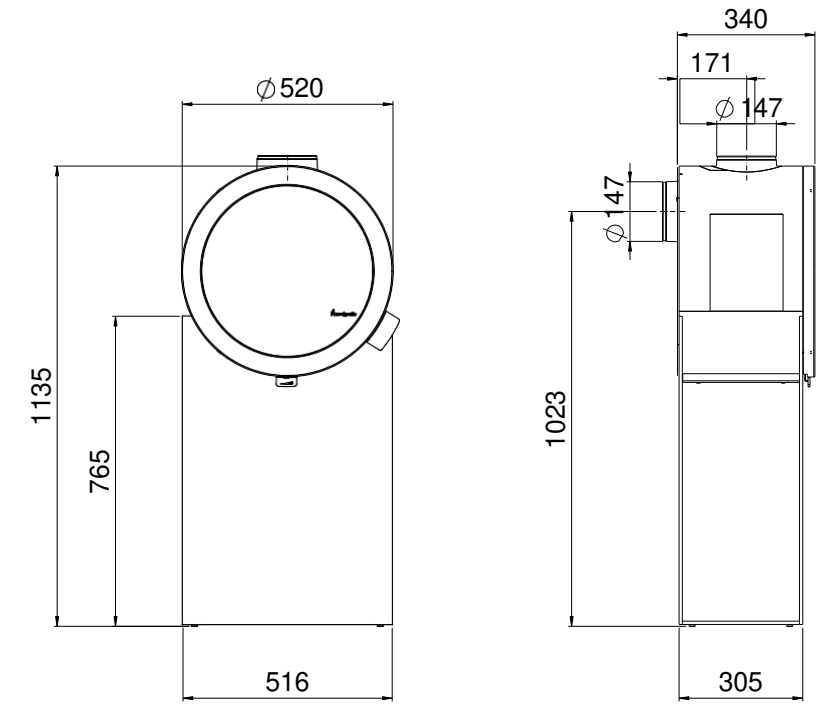


TECHNICAL DETAILS

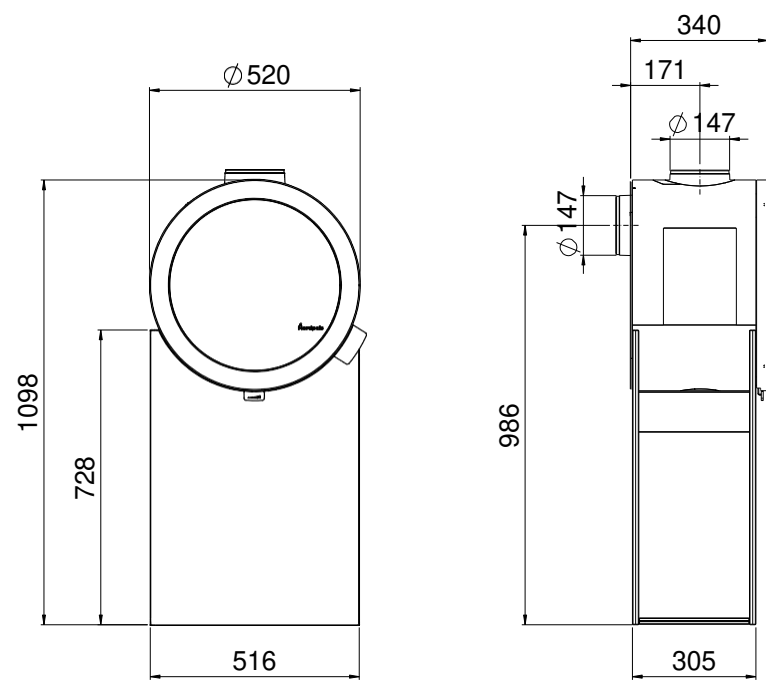
ME BASIC



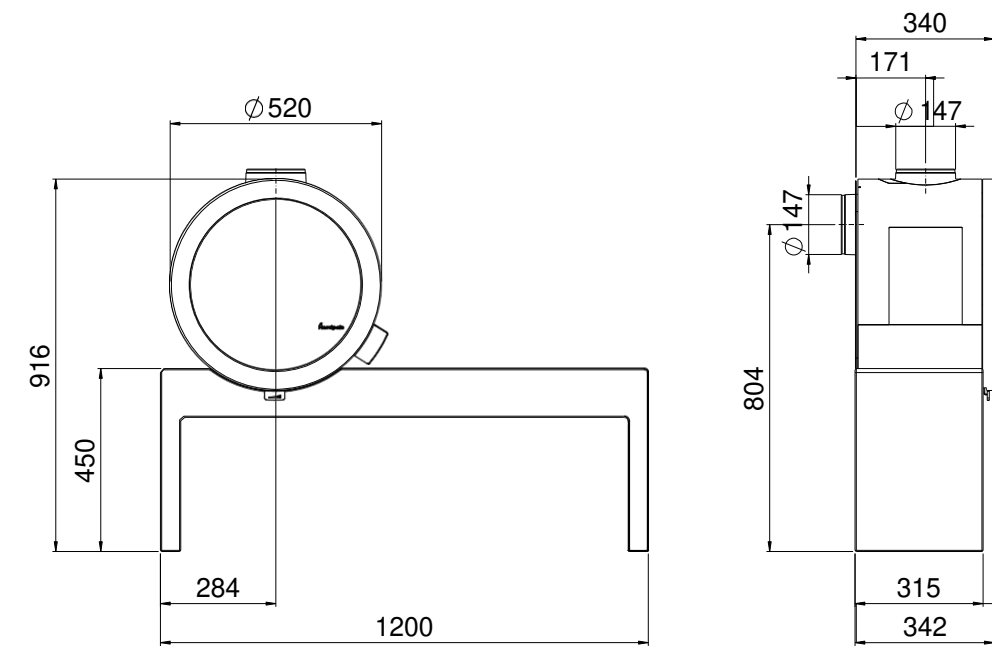
ME STEEL



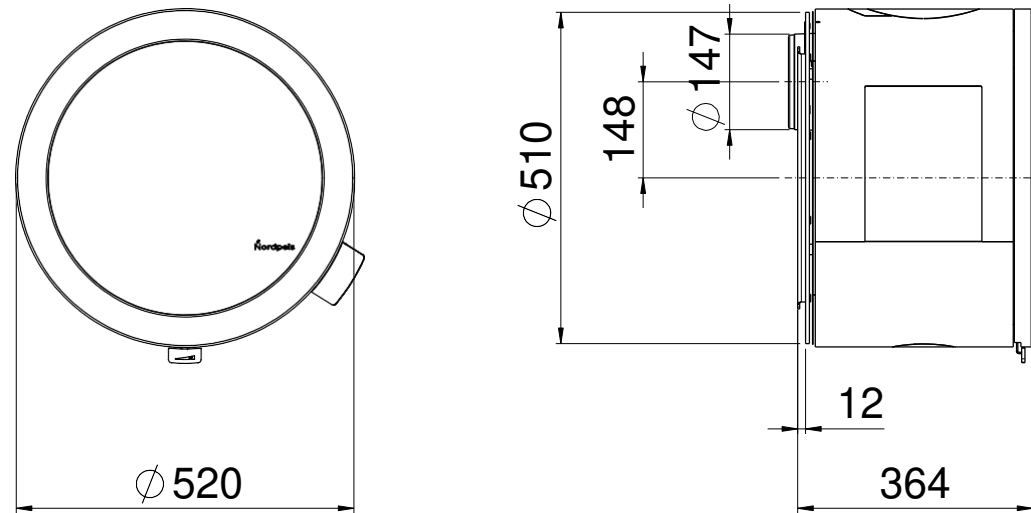
ME GLASS



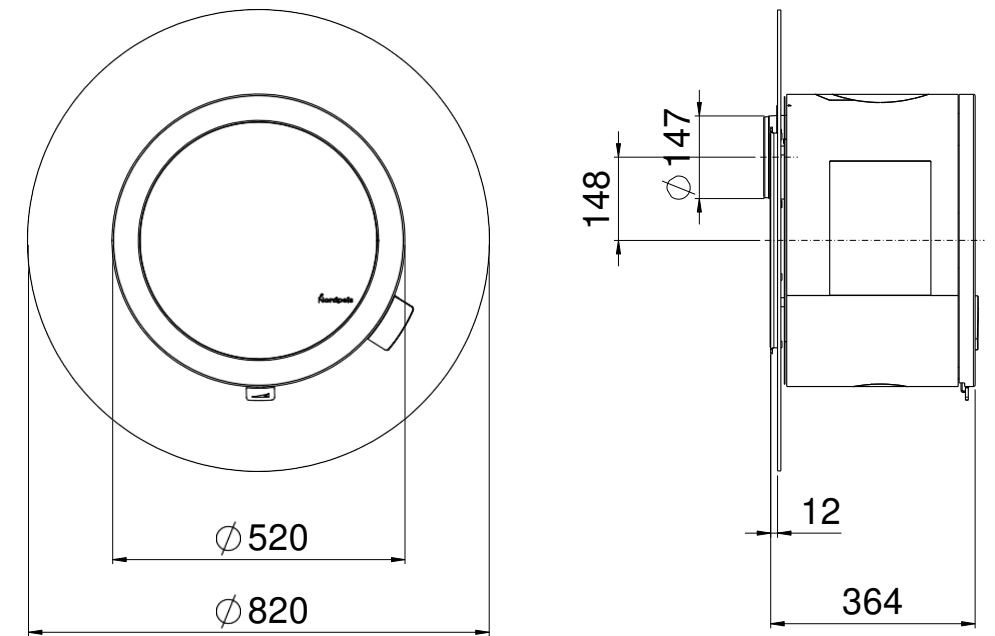
ME BENCH



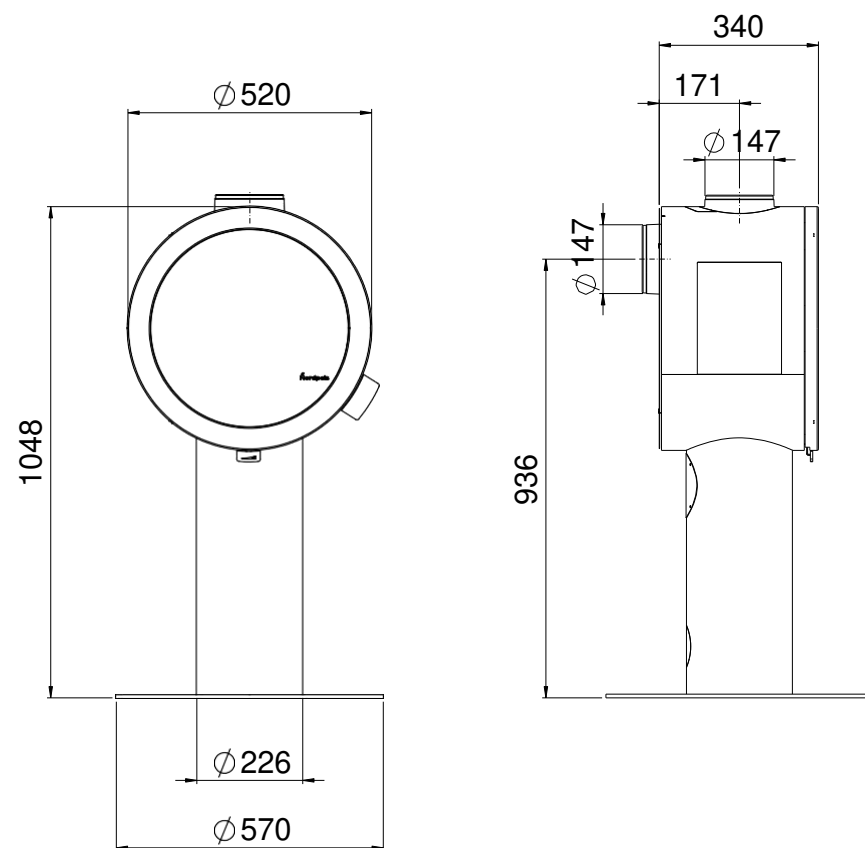
ME WALL
Without firewall



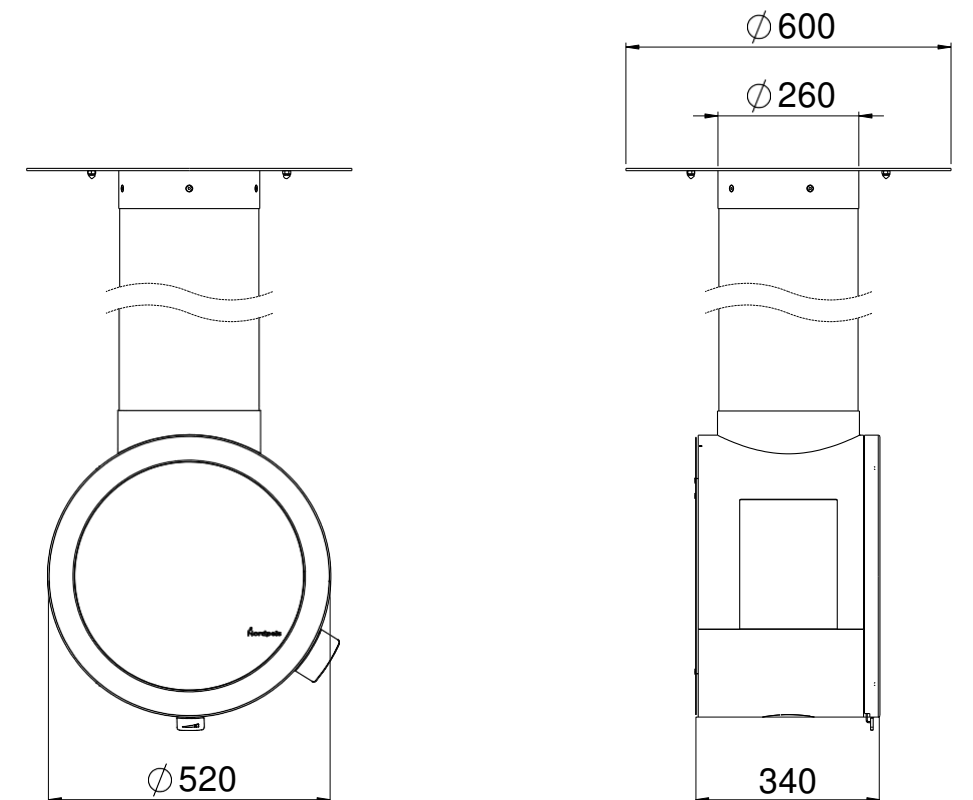
With integrated firewall



ME PEDESTAL



ME CEILING



PRIMARY AIR

The primary air comes into the burning chamber through the ash grate. It is regulated with the air regulation handle.



SECONDARY AIR

The secondary air comes into the burning chamber in the thin opening between the baffle plate and the rear wall in thermotte.



CONVECTION AIR

Air inlet

The air inlets are between the door and the body, and in an opening between the body and the rear wall.



Air outlet

The air outlets are between the door and the body, and in an opening between the body and the rear wall.



Air comes out of these holes, and continues out between the body and the door.



AIR WASH OF GLASSES

Front glass

Air comes out from the holes in the body, into an opening in the door and continues down the glass to clean it.



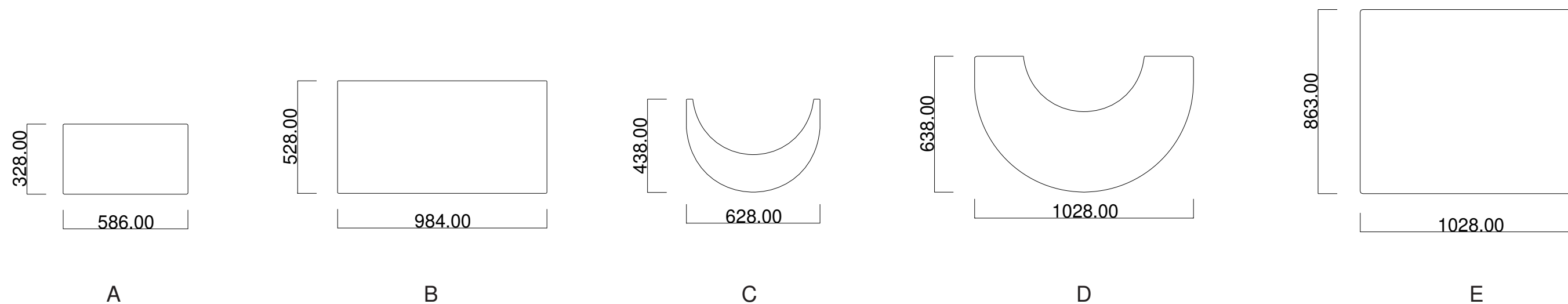
Side glasses

Air comes out from an opening between the thermotte and the steel frame that holds the glass to clean it.

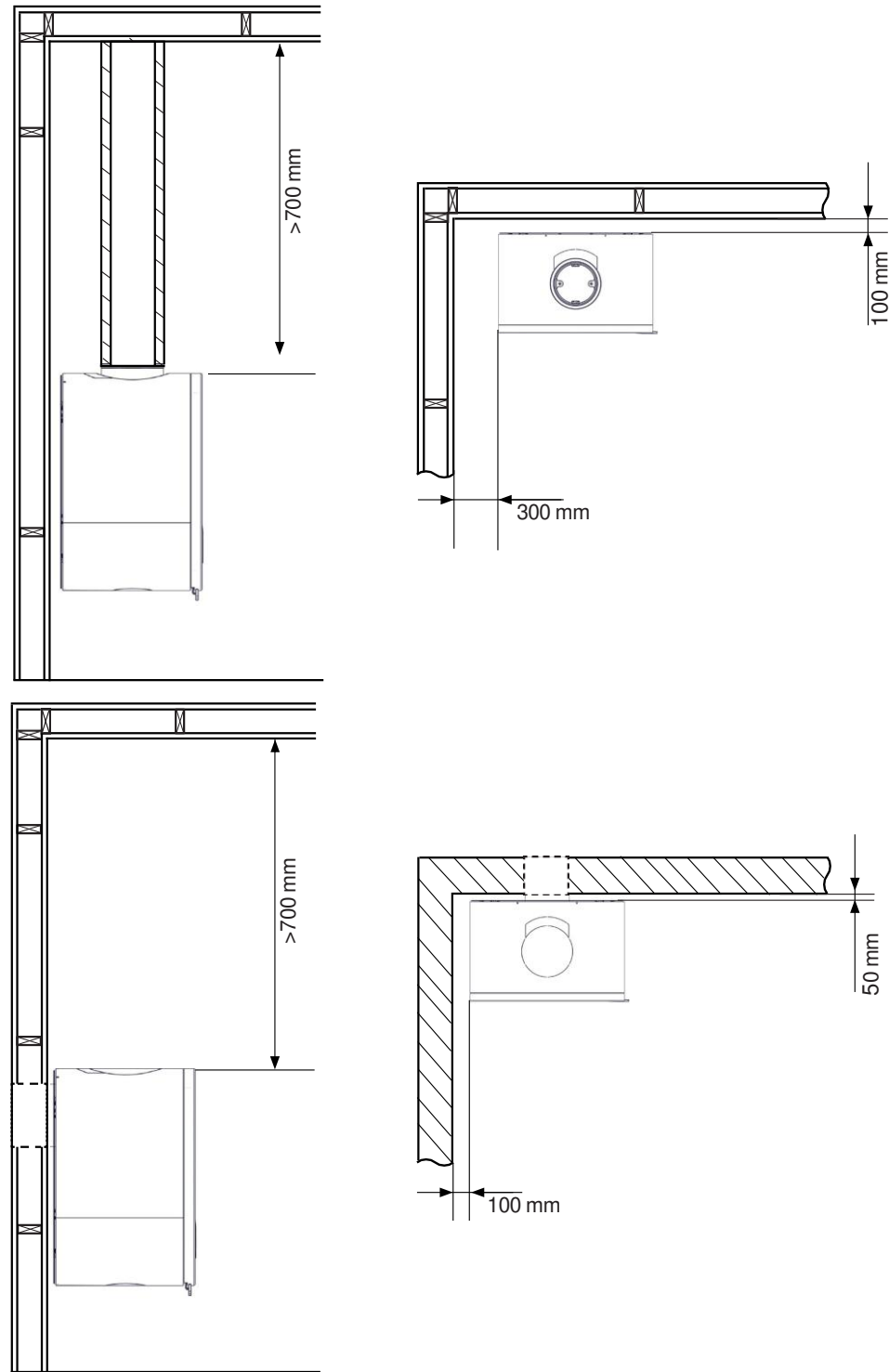


	EXTERNAL AIR				SMOKE OUTLET		FLOORPLATES	
	Floor	Wall with center 120 mm above floor	Rear from burning chamber	Premodul ventilated chimney	Top	Rear	Standard	Germany/Finland
Me Basic	X	X	X	X	X	X	A	B
Me Steel			X	X	X	X	A	B
Me Pedestal	X	X	X	X	X	X	C	D
Me Glass			X	X	X	X	A Optiwhite	B Optiwhite
Me Wall			X	X	X	X	E	E
Me Ceiling				X	X		E	E
Me Bench	X	X	X	X	X	X	A	B

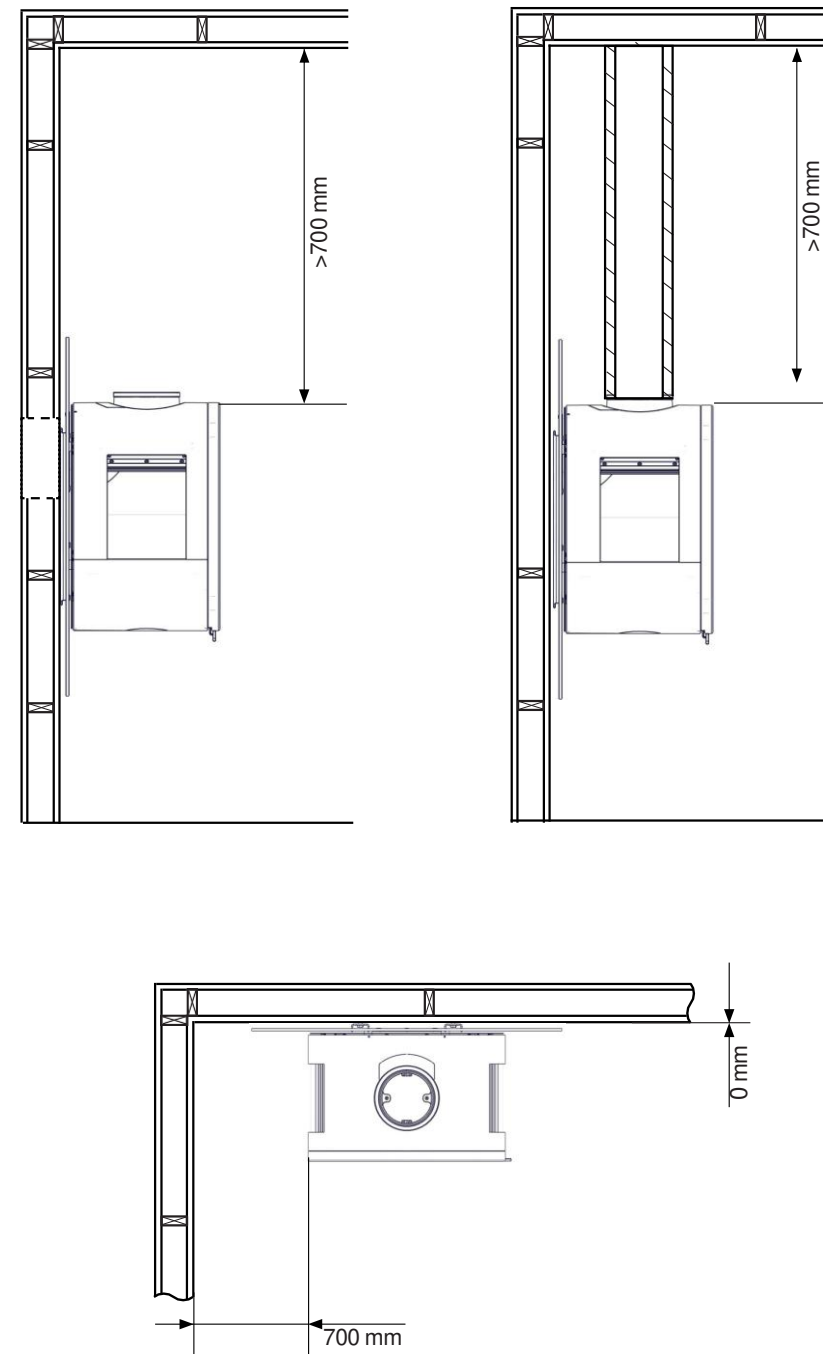
FLOORPLATES





ME WITHOUT SIDEGLASSES



ME WITH SIDEGLASSES



 =Firewall/ Hitzenschutzwand / Mur parfeu / Parete non combustibile
 =Combustible material / Brennbares Material / Matières combustibles/ Parete combustibile

Versions:

- Me Basic with side glasses
- Me Basic without side glasses
- Me Steel with side glasses
- Me Steel without side glasses
- Me Pedestal with side glasses
- Me Pedestal without side glasses
- Me Glass with side glasses
- Me Glass without side glasses
- Me Bench with side glasses
- Me Bench without side glasses
- Me Ceiling with side glasses
- Me Ceiling without side glasses
- Me Wall with side glasses and without firewall
- Me Wall with side glasses and with integrated firewall
- Me Wall without side glasses and without firewall
- Me Wall without side glasses and with integrated firewallframe

Accessories:

- Handles in brushed steel for the door and air regulation.
- Me Bench: Drawer Black Steel, Drawer for external air Black steel, Drawer Oak, Drawer for external air Oak.

Floorplates:

- Standard size, clear glass, for Me Basic, Me Steel & Me Bench. (Shape A)
- Germany/Finland, clear glass, for Me Basic, Me Steel & Me Bench. (Shape B)
- Standard size, optiwhite glass for Me Glass. (Shape A)
- Germany/Finland, optiwhite glass for Me Glass. (Shape B)
- Standard size, clear glass for Me Pedestal. (Shape C)
- Germany/Finland, clear glass, for Me Pedestal. (Shape D)
- All markets, clear glass, for Me Wall & Me Ceiling. (Shape E)